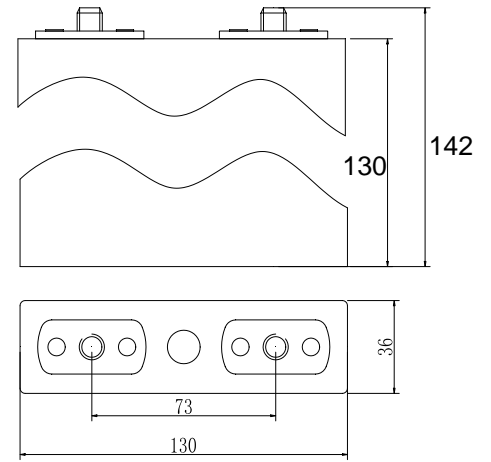


Basic Specifications

Capacity	30000mAh	
Voltage	3.2V	
Case Material	AL	
Package	PVC	
Weight	≤1100g	
Resistance	≤3mΩ	
Max Charge	0.5C	
Max Charge Voltage	3.65V±0.05V	
Charging mode	CC-CV	
Continuous Discharge	5C	
Peak Discharge	10C	
Cut-off voltage	2.3V	
Cycle life (0.2C discharge)	2000 cycles (80%DOD)	
Working	Charging	0°C ~ +45°C
	Discharging	-20°C ~ +60°C
Storage	Temperature	-10°C ~ +40°C
	Humidity	<85%
Dimension	Thickness	36±1mm
	Width	130±1 mm
	High	142±1 mm

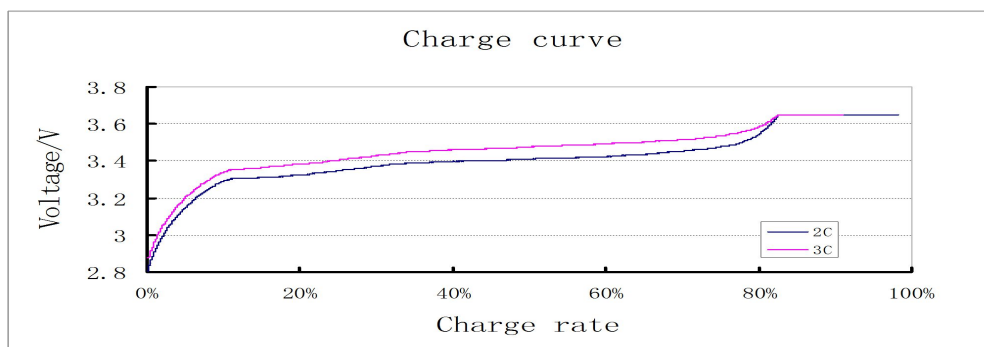
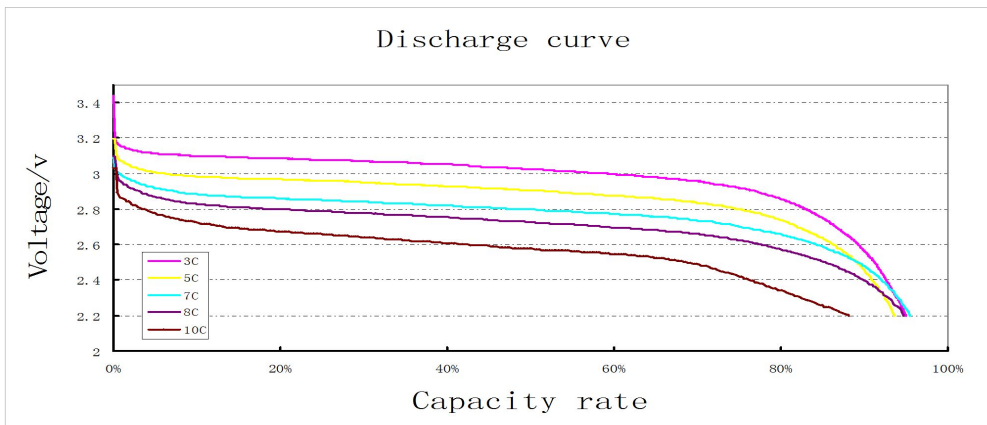
Dimensions :



Unit: mm



Characteristics curves



Manufacturer reserves the right to alter or amend the approval sheet without the prior notice