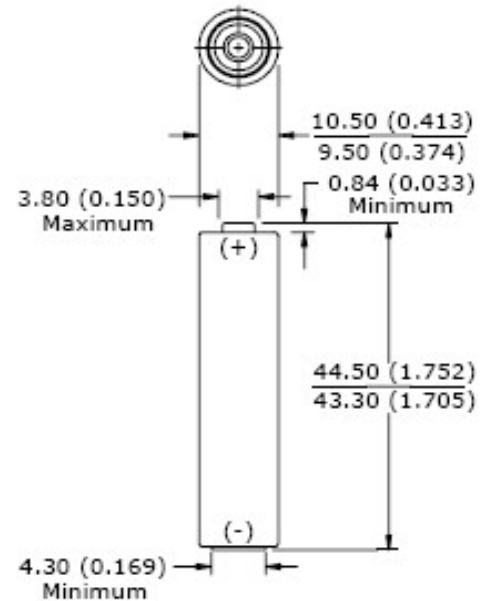
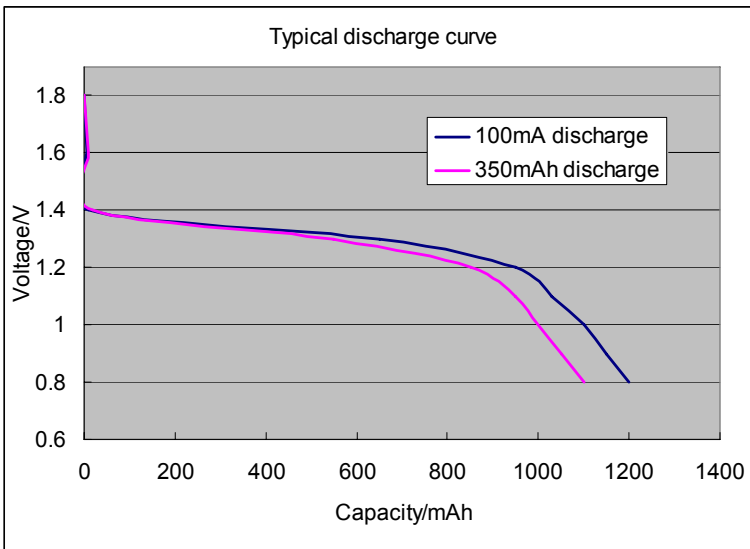


| Basic Specifications       |  |
|----------------------------|--|
| Product Name               | Lithium and Iron Disulfide ( Li-FeS <sub>2</sub> ) Battery |
| Model                      | LFB AAA 1100mAh  |
| Nominal Voltage            | 1.70V ~1.86V   |
| Impedance                  | ≤450mΩ   |
| Typical Capacity ( 100mA ) | 1100 ±50 mAh   |
| Working Voltage            | 1.30V at 350mA discharge rate                              |
| Max. Discharge Current     | 1000 mA continuous   |
| Discharge Cut-off Voltage  | 0.80V  |
| Volume                     | 3.8 cubic centimeters                                      |
| Weight                     | Approx. 6.8~7.5 g  |
| Lithium Content            | Less than 0.5 gram per cell                                |
| Dimensions                 | Diameter: 10.0±0.5 mm                                      |
|                            | Height: 43.9±0.6mm   |
| Operating Temp.            | -20 °C to 60 °C  |
| Storage Temp.              | -20 °C to 40 °C  |
| Storage Humidity           | ≤75 %  |
| Shell Life                 | 5 Years  |

**Dimensions in mm(inches)**



**Typical Discharge Curve**



**WARNING:**

- Do not recharge, short circuit, crush, disassemble, heat above 100°C incinerate.
- Do not place the battery in heater, washer or high-pressure container.
- Stop using when the battery become heat, emit smell or appear other abnormality during use or storing.

Manufacturer reserves the right to alter or amend the approval sheet without the prior notice