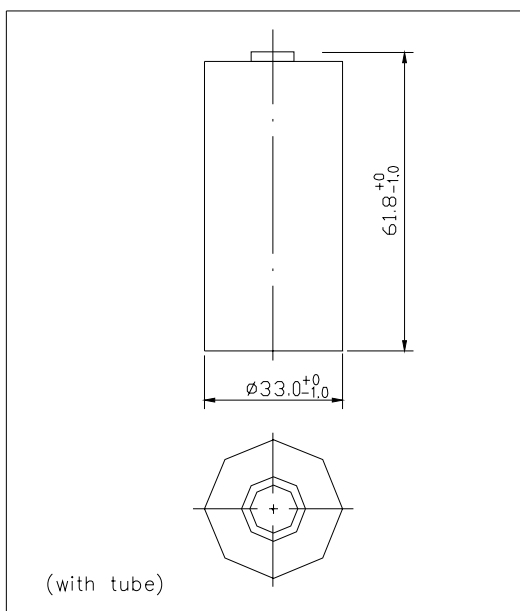
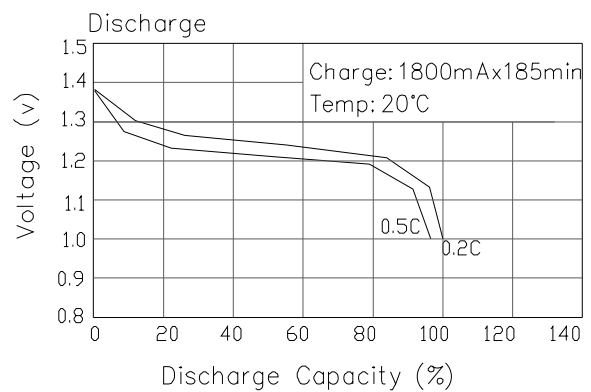
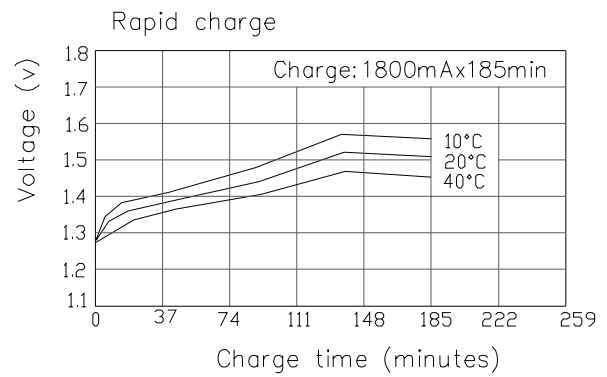
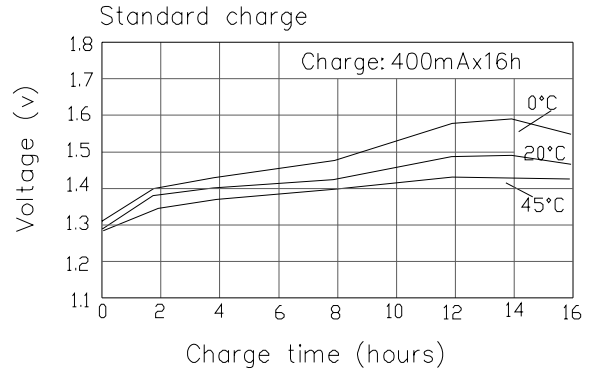


Product Name		Sealed Nickel Cadmium Cylindrical Rechargeable Battery
Model		EJD-D4000
Nominal Voltage		1.2V
Nominal Capacity		4000mAh
Dimension (with tube)	Diameter	33.0 ⁺⁰ _{-1.0}
	Height	61.8 ⁺⁰ _{-1.0}
Internal Resistance at 1000Hz		≤ 10mΩ (After charge)
Charge	Standard	400mA X 16h
	Rapid	1800mA X 185min
	Trickle	135~225mA
Discharge Cut-off Voltage		1.0V
Cycle Life		≥ 500 Cycles
Ambient Temperature	Standard Charge	0°C to 45°C
	Rapid Charge	10°C to 40°C
	Trickle Charge	0°C to 45°C
	Discharge	-20°C to 50°C
	Storage	-20°C to 45°C
Ambient Humidity		65±20%

General Characteristics



Manufacturer reserves the right to alter or amend the approval sheet without the prior notice