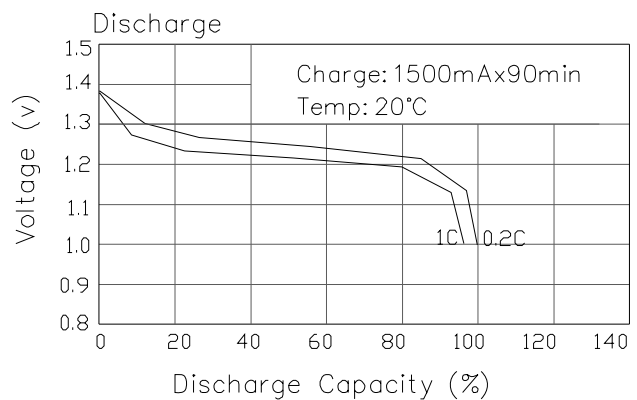
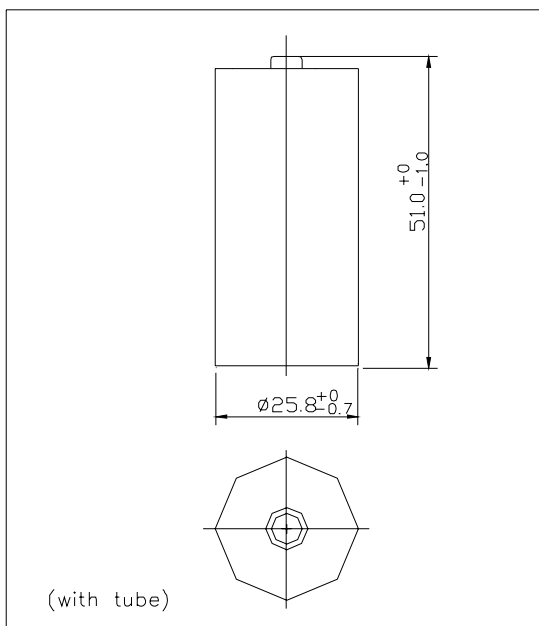
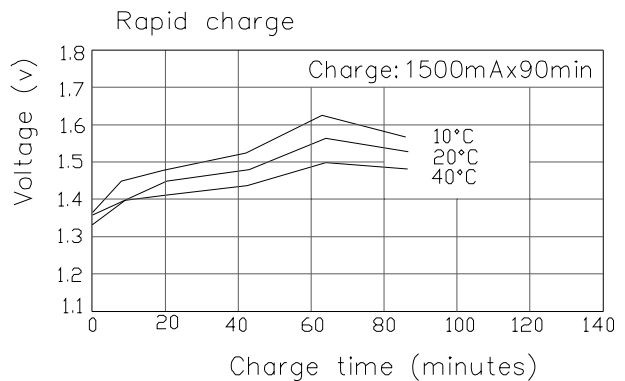
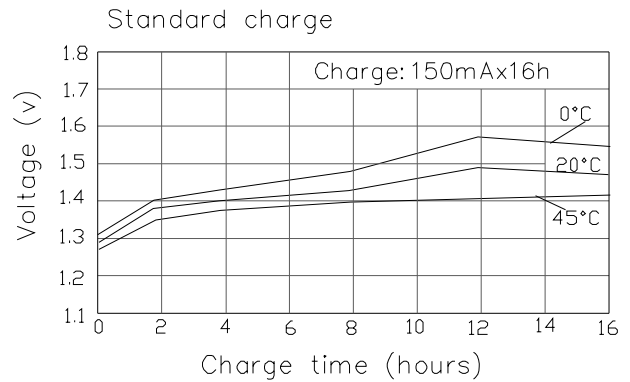


| Single Specification          |  |                                    |
|-------------------------------|--|------------------------------------|
| Product Name                  | Sealed Nickel Cadmium Cylindrical Rechargeable Battery |                                    |
| Model                         | <b>EJD-C2000</b>                                       |                                    |
| Nominal Voltage               | 1.2V   |                                    |
| Nominal Capacity              | 1500mAh  |                                    |
| Dimension (with tube)         | Diameter   | 25.8 <sup>+0</sup> <sub>-1.0</sub> |
|                               | Height   | 51.0 <sup>+0</sup> <sub>-1.0</sub> |
| Internal Resistance at 1000Hz |  | ≤ 10mΩ (After charge)              |
| Charge                        | Standard   | 150mA × 16h                        |
|                               | Rapid  | 1500mA × 90min                     |
|                               | Trickle  | 45~75mA                            |
| Discharge Cut-off Voltage     |  | 1.0V                               |
| Cycle Life                    |  | ≥ 500 Cycles                       |
| Ambient Temperature           | Standard Charge  | 0°C to 45°C                        |
|                               | Rapid Charge   | 10°C to 40°C                       |
|                               | Trickle Charge   | 0°C to 45°C                        |
|                               | Discharge  | -20°C to 50°C                      |
|                               | Storage  | -20°C to 45°C                      |
| Ambient Humidity              |  | 65±20%                             |

### General Characteristics



Manufacturer reserves the right to alter or amend the approval sheet without the prior notice