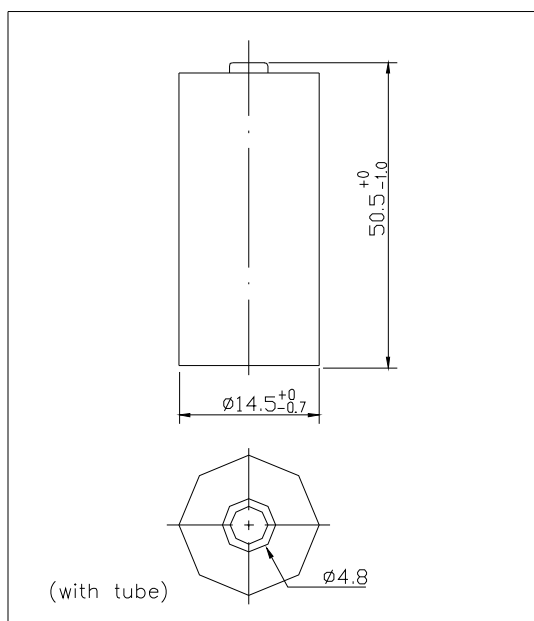
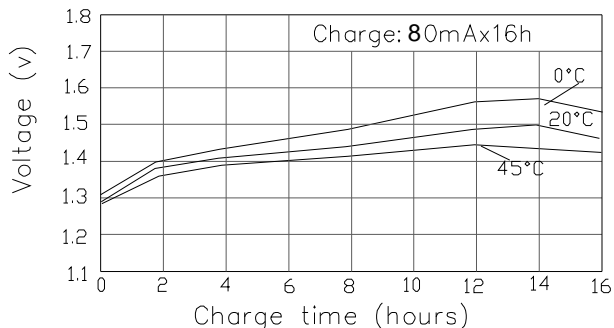


|                                  |                 |  |
|----------------------------------|-----------------|--|
| Product Name                     |                 | Sealed Nickel<br>Cadmium Cylindrical<br>Rechargeable Battery |
| Model                            |                 | <b>EJD-AA800HT</b>   |
| Nominal Voltage                  |                 | 1.2V   |
| Nominal Capacity                 |                 | 800mAh   |
| Dimension<br>(with tube)         | Diameter        | 14.5 <sup>+0</sup> <sub>-0.7</sub>                           |
|                                  | Height          | 50.5 <sup>+0</sup> <sub>-1.0</sub>                           |
| Internal Resistance<br>at 1000Hz |                 | ≤ 25mΩ<br>(After charge)                                     |
| Charge                           | Standard        | 80mA X 16h   |
|                                  | Rapid           | -----  |
|                                  | Trickle         | 27~45mA  |
| Discharge Cut-off<br>Voltage     |                 | 1.0V   |
| Cycle Life                       |                 | ≥ 500 Cycles   |
| Ambient<br>Temperature           | Standard Charge | 0°C to 70°C  |
|                                  | Rapid Charge    | -----  |
|                                  | Trickle Charge  | 0°C to 70°C  |
|                                  | Discharge       | -20°C to 70°C  |
|                                  | Storage         | -20°C to 45°C  |
| Ambient Humidity                 |                 | 65±20%   |

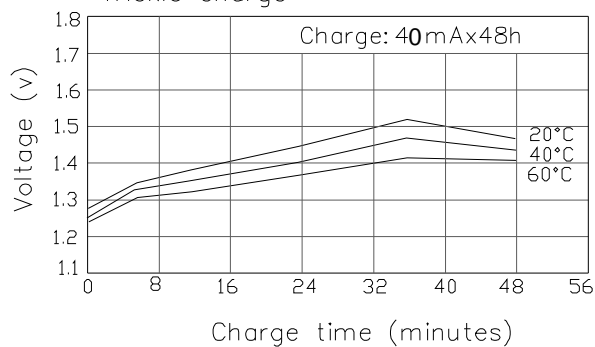


### General Characteristics

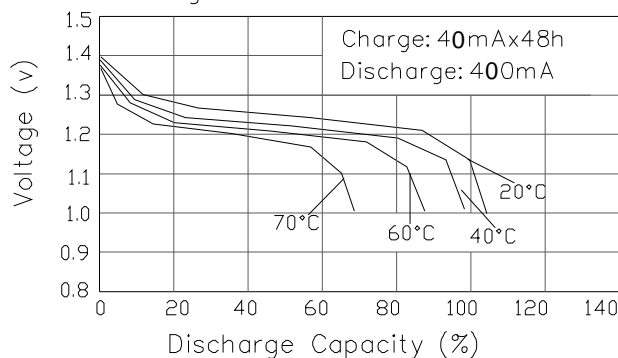
Standard charge



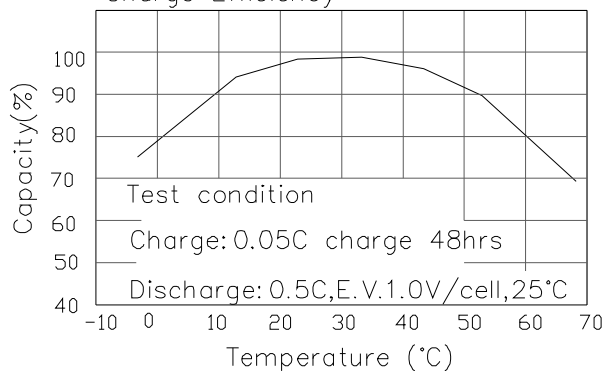
Trickle charge



Discharge



Charge Efficiency



Manufacturer reserves the right to alter or amend the approval sheet without the prior notice